



Republic of the Philippines
Benguet State University

2601 La Trinidad, Benguet
 www.bsu.edu.ph

REQUEST FOR QUOTATION (RFQ)
(ALL ENTRIES ARE MANDATORY)

Name of Owner/ Corporation/ Cooperative/ QUOTATION NO. 1334
 Name of Business : _____ DATE: OCT 03 2024
 Address: _____ P.R. NO. : 2024-09-1563
 Email address: _____ Telephone No. _____ ABC: Php. 390,000.00
FUND SOURCE: IGI

The Benguet State University through its Bids and Awards Committee will undertake NP- SVP
 for the item/s listed below under the following terms and conditions:

1. All entries must be written legibly and accurately.
2. Delivery period is within 45 calendar days.
3. Warranty period shall be for a minimum of three months, in case of expendable supplies, and a minimum of one year in case of
4. Price validity shall be for a period of 30 calendar days.
5. Compliance with specifications: Kindly specify in the column provided below whether the offer fully complies with the specifications
6. Deadline of submission of quotation is on or before 5:00 PM of Oct. 14, 2024 Offers may be submitted in sealed or open quotation in person, or through facsimile (074-661-1839) or email (procurement@bsu.edu.ph)
7. The item/s shall be procured by: _____ a) line item; XXX b) lot; _____ c) sub-lot
8. Business Permit Number : _____, date of issue: _____, place of issue: _____, (If renewal of Business Permit is still on process, please indicate OR No: _____, date of OR : _____ for the payment of renewal).
9. * PhilGEPS Registration Number: _____

[Signature]
SAMUEL S. POLIDEN
 Chairperson, BAC (Goods & Services)

College/Dept./Office: **ULIS**

Item No.	Qty	Unit	Item	Technical		ABC	Unit Cost	Total Cost	
				COMPLY	COUNTER OFFER				
1	1	lot	<u>Supply, fabrication & delivery of</u>						
			Female shaped Shelf (Size: H93" x L96" x W12 ; Base & Edge Molding: Solid wood; Back: 3/4 plywood; Divider layers & Vertical: 3/4 plywood; Edge Curving: 1/4 plywood solid Wood edge molding (1 Unit)						
			Male Shaped Shelf (Size: H93" x L76" x W12 ; Base & Edge Molding: Solid wood; Back: 3/4 plywood; Divider layers & Vertical: 3/4 plywood; Edge Curving: 1/4 plywood solid Wood edge molding (1 unit)						
			Kalasang Shaped Shelf (Size: H93" x L76" x W12 ; Base & Edge Molding: Solid wood; Back: 3/4 plywood; Divider layers & Vertical: 3/4 plywood; Edge Curving: 1/4 plywood solid Wood edge molding (1 Unit)						
			SOLIBAO (CARIANA & TEBTEBBA SIGNAGE) (Size: H10" x L48" x W1 ; Solid Wood Paint Finish (2 units)						
			Spear (Size: H96" x W1.5" circumference : Solid Wood Paint Finish (4 units)						
			Wall Bracing A (Size: H84" x L204"; Brace: 2x3 Solid Wood; Covered with 1/4 plywood ordinary white paint finish (1units)						
Wall Bracing B (Size: H84" x L130"; Brace: 2x3 Solid Wood; Covered with 1/4 plywood ordinary white paint finish (1 unit)									
**** <u>See attached designs</u>									

Counter offers:
 Delivery Period: _____
 Warranty: _____
 Price Validity: _____

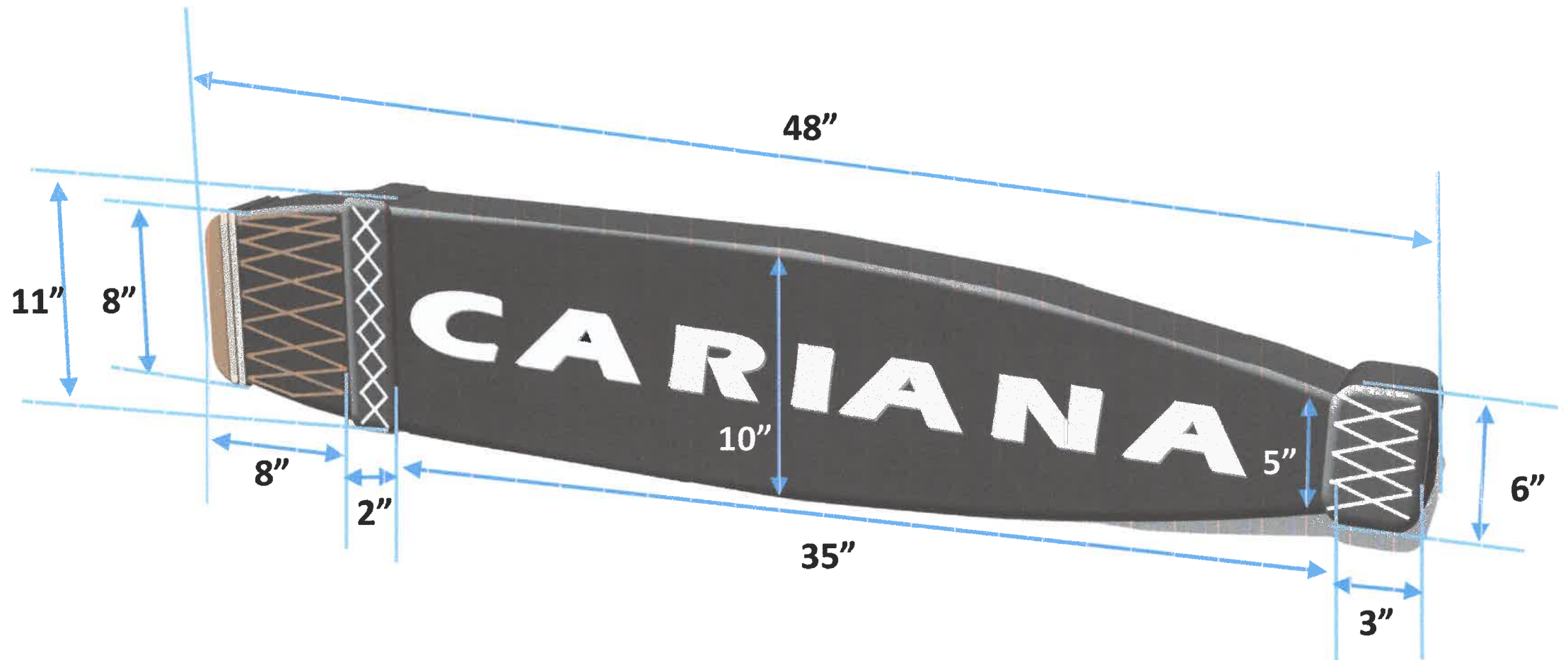
We hereby submit our quotations, accept the general conditions for the above items and be bound by our offer.

 Signature over Printed Name Date and Time of Receipt of RFQ

SOLIBAO (2 pcs) (CARIANA & TEBTEBBA SIGNAGE)

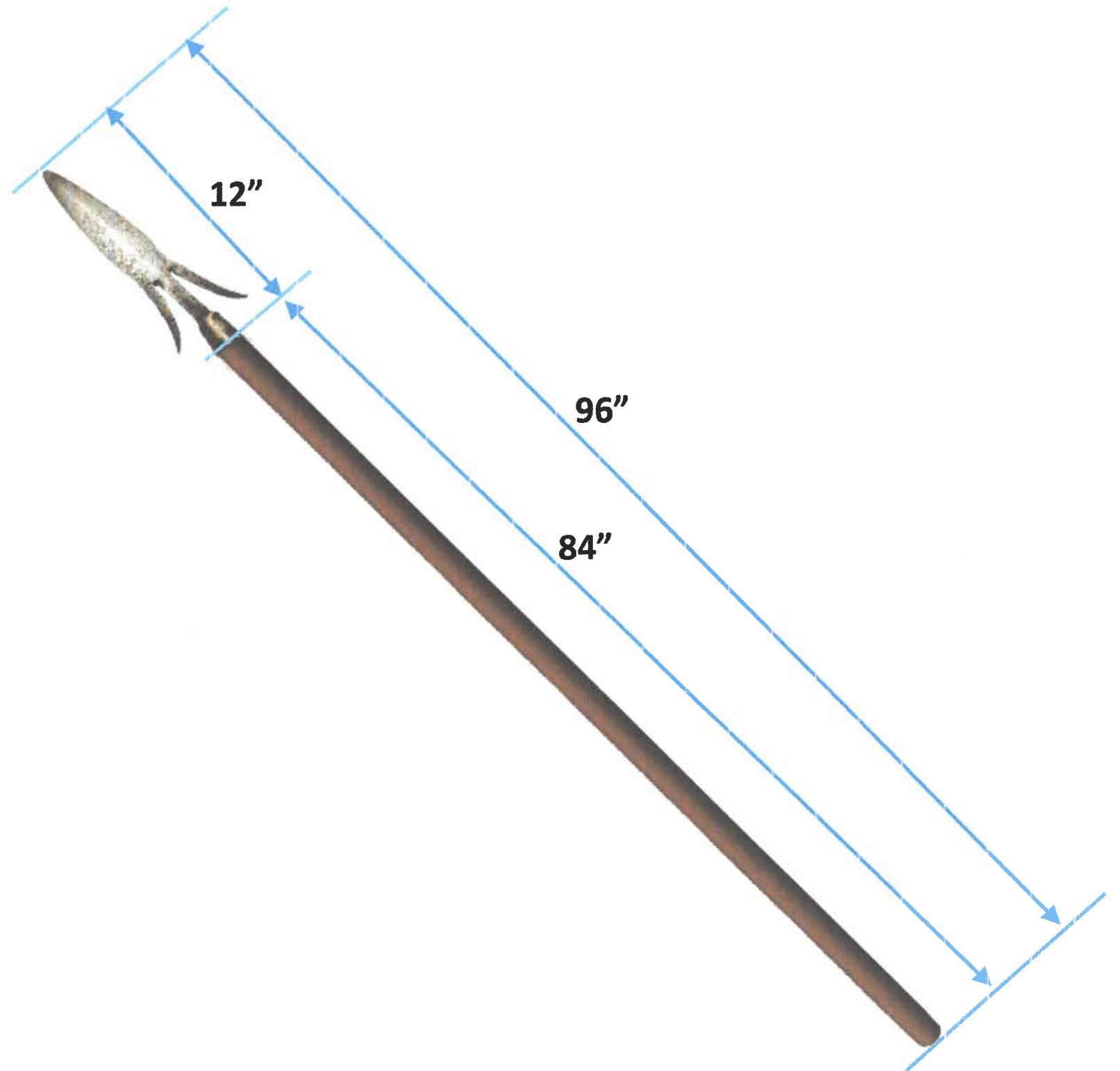
Size: H10" X L48" X W1"

Solid wood paint finish



SPEAR (4 pcs)

Size: H96" x 1.5" circumference
Solid wood paint finish

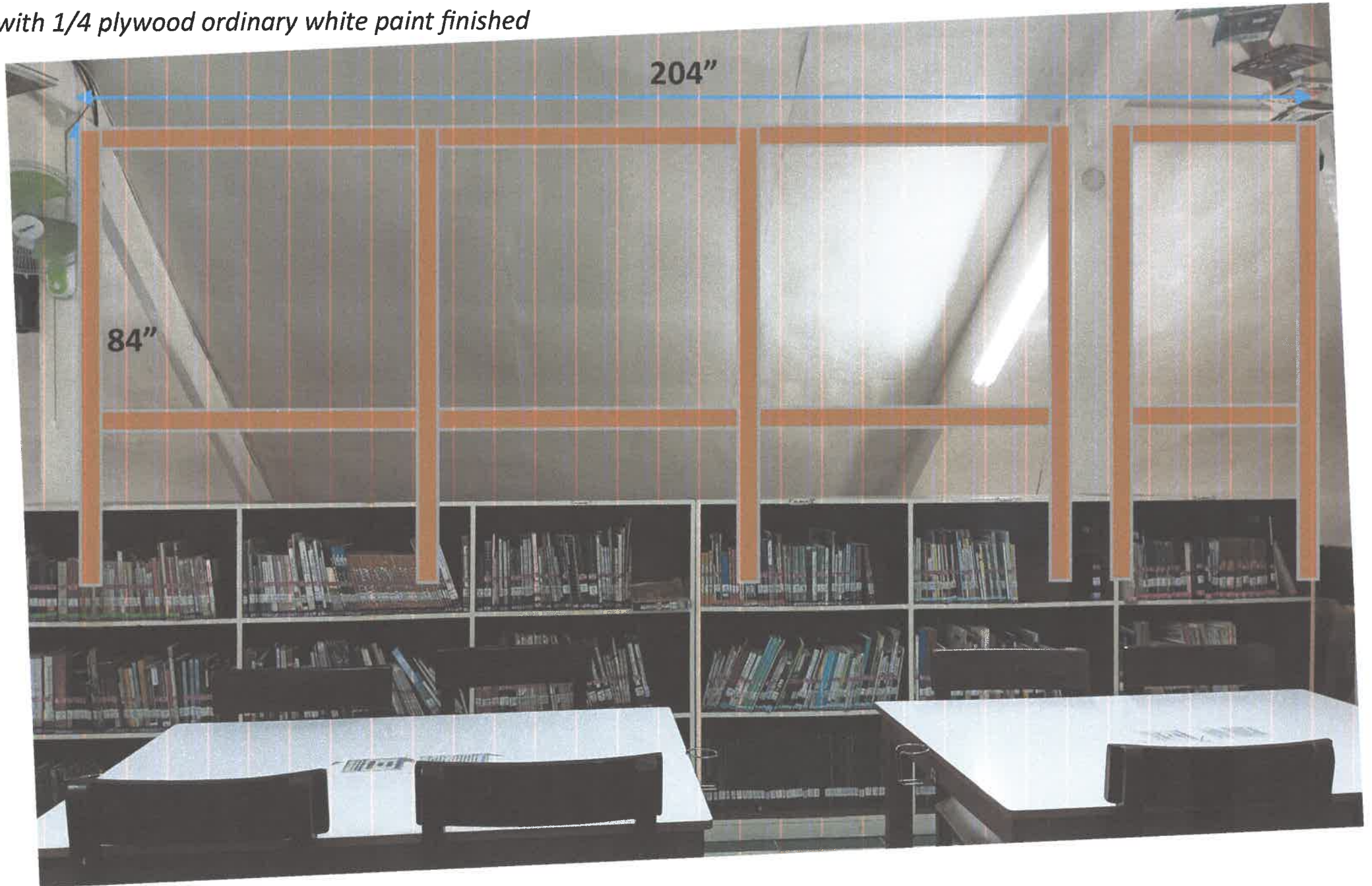


Wall Bracing A

Size= H84" X L204"

Brace= 2X3 Solid Wood

Covered with 1/4 plywood ordinary white paint finished

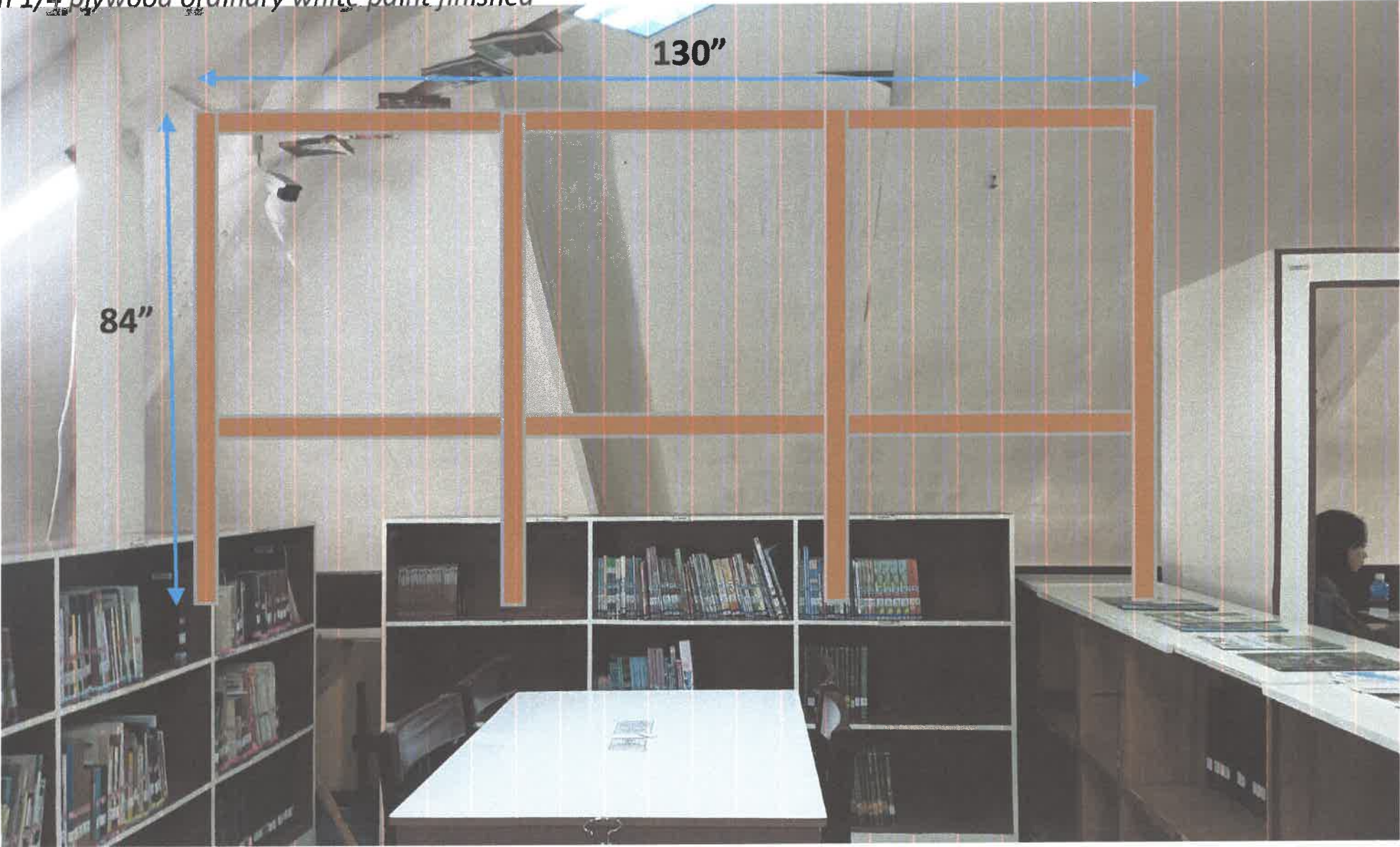


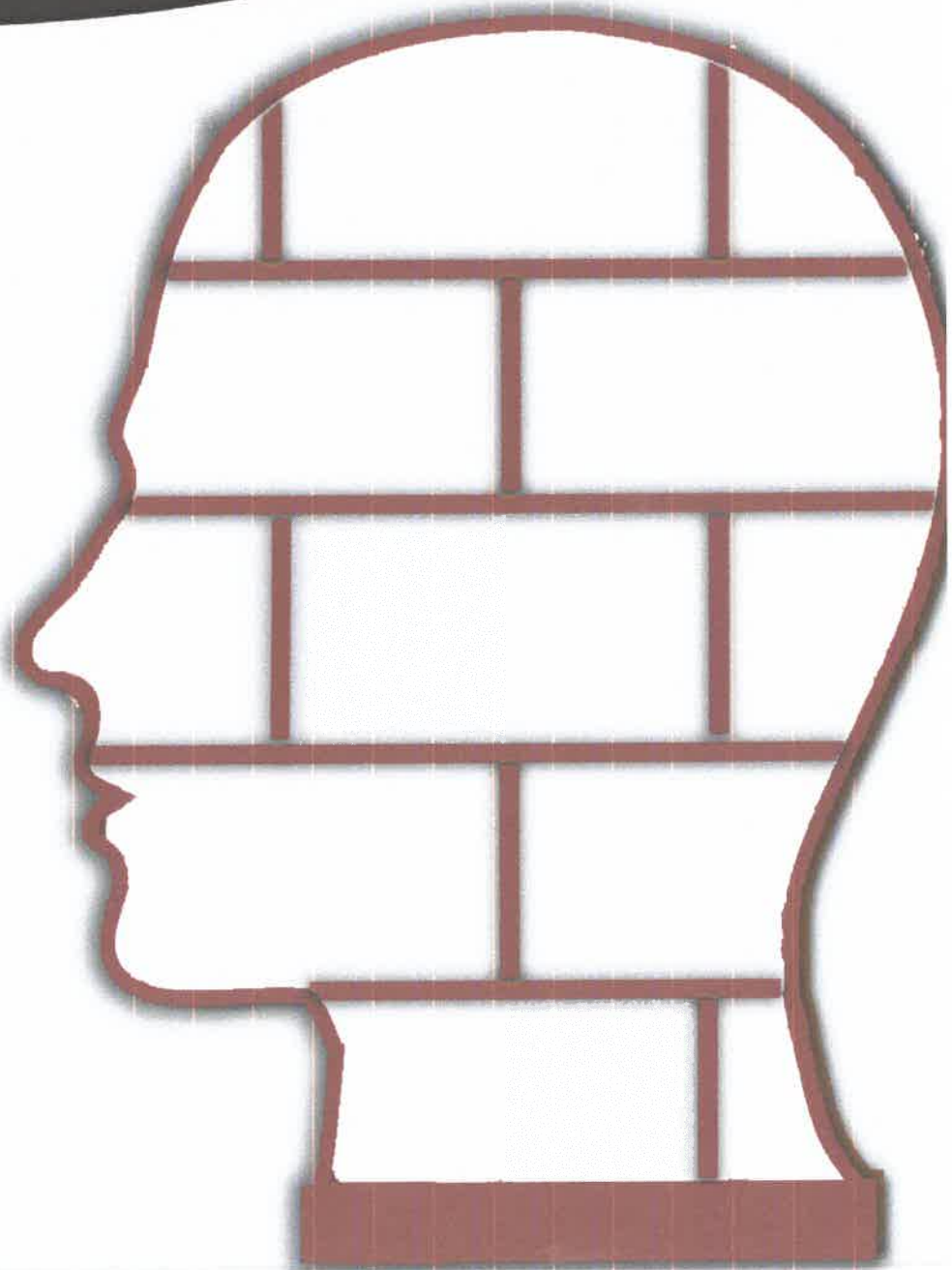
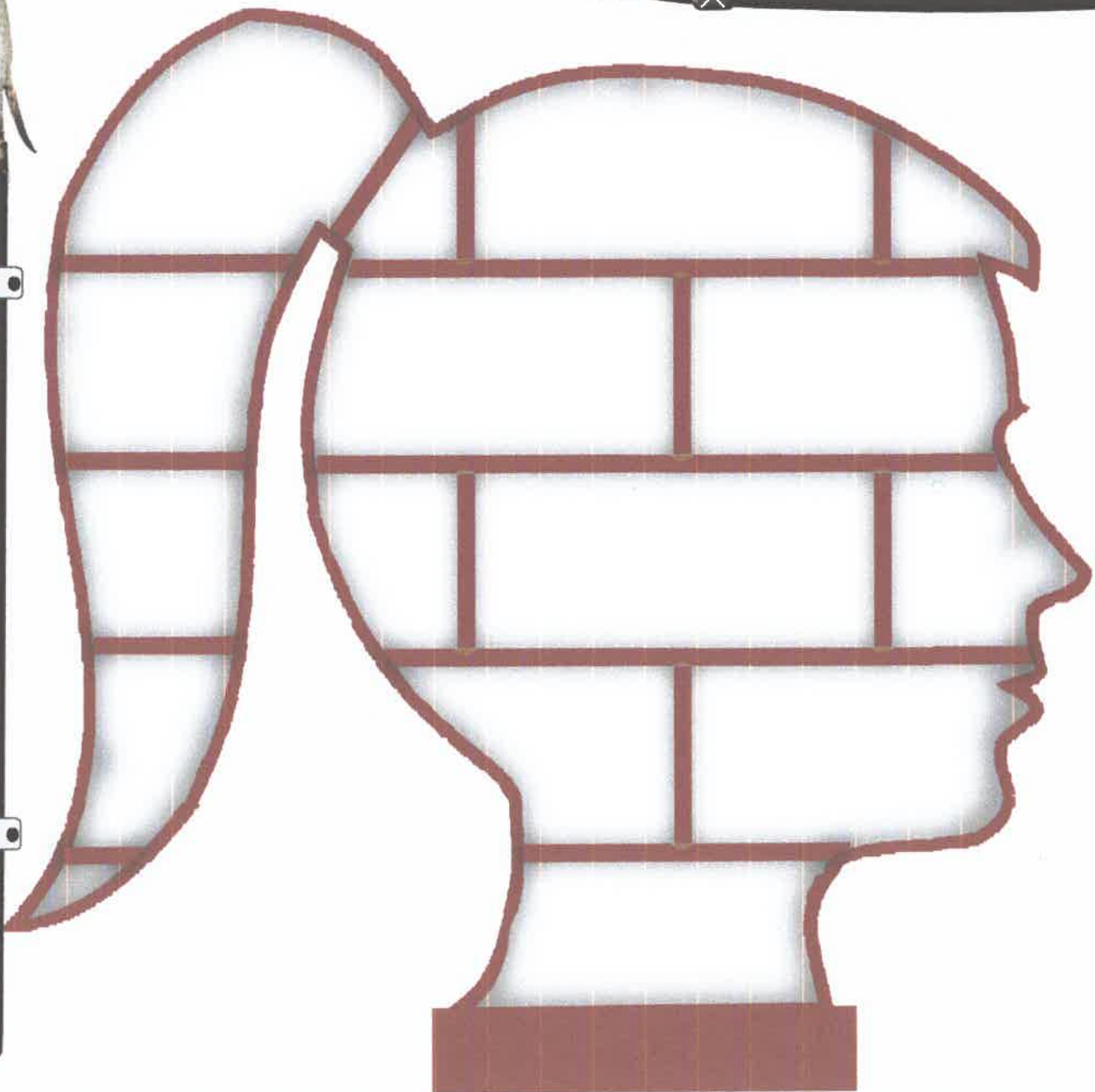
Wall Bracing B

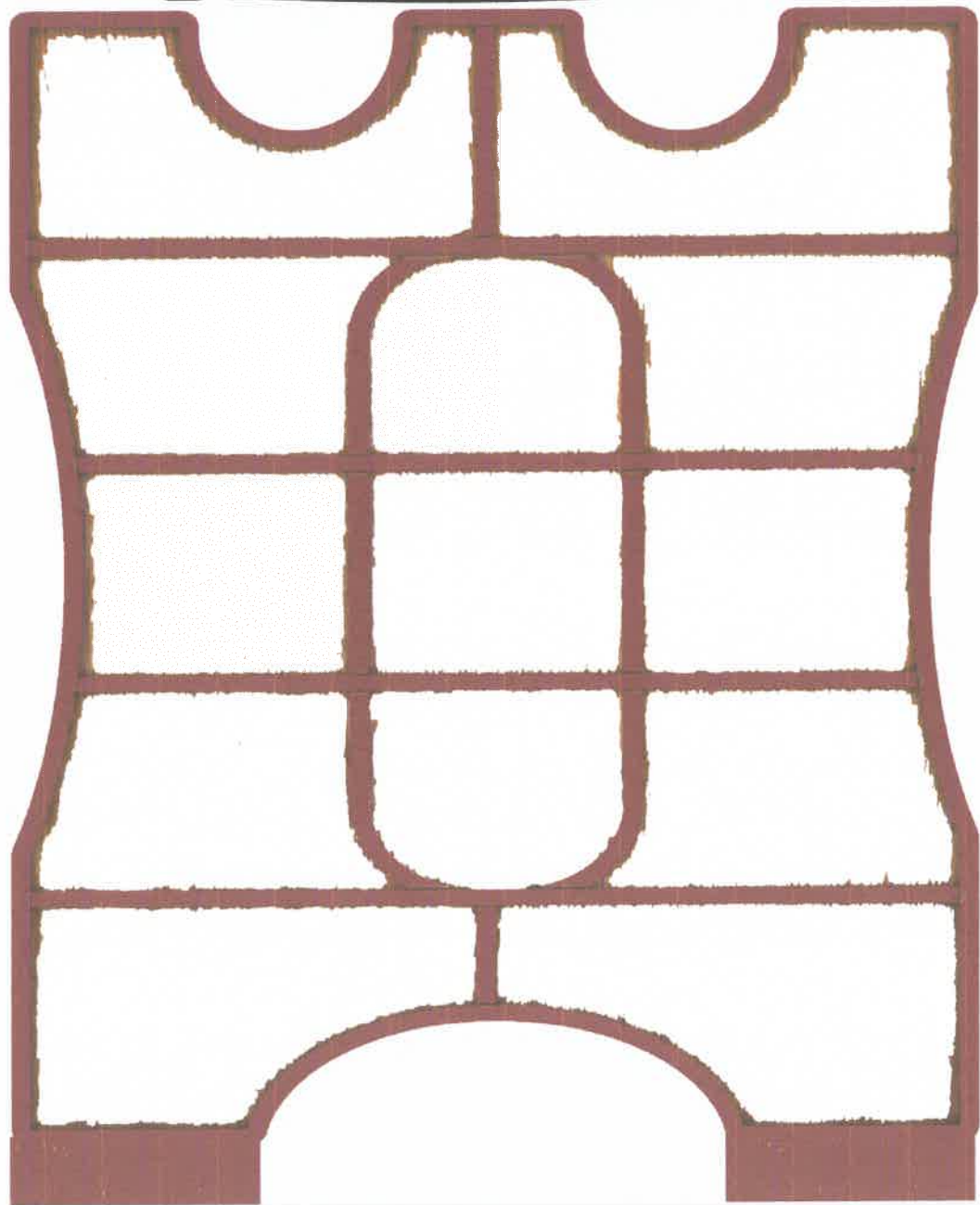
Size: H84" X L130"

Brace= 2X3 Solid Wood

Covered with 1/4 plywood ordinary white paint finished







SHELF 1 (1pc) (Female Shelf)

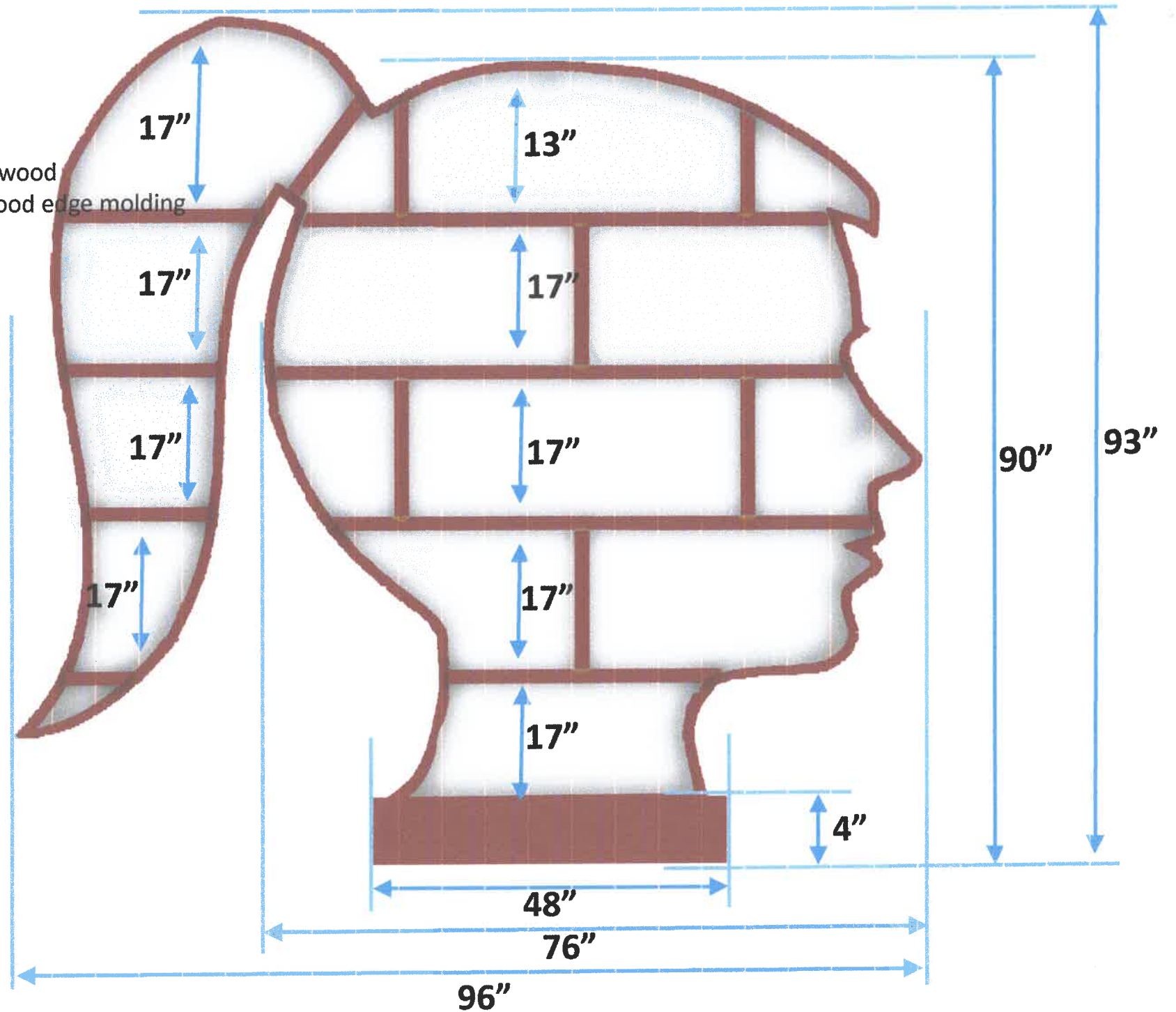
Size: H93" X L96" X W12

Base & Edge molding = Solid wood

Back = 3/4 plywood

Divider layers and vertical = 3/4 plywood

Edge curving = 1/4 plywood solid wood edge molding



SHELF 2 (1pc) (Male Shelf)

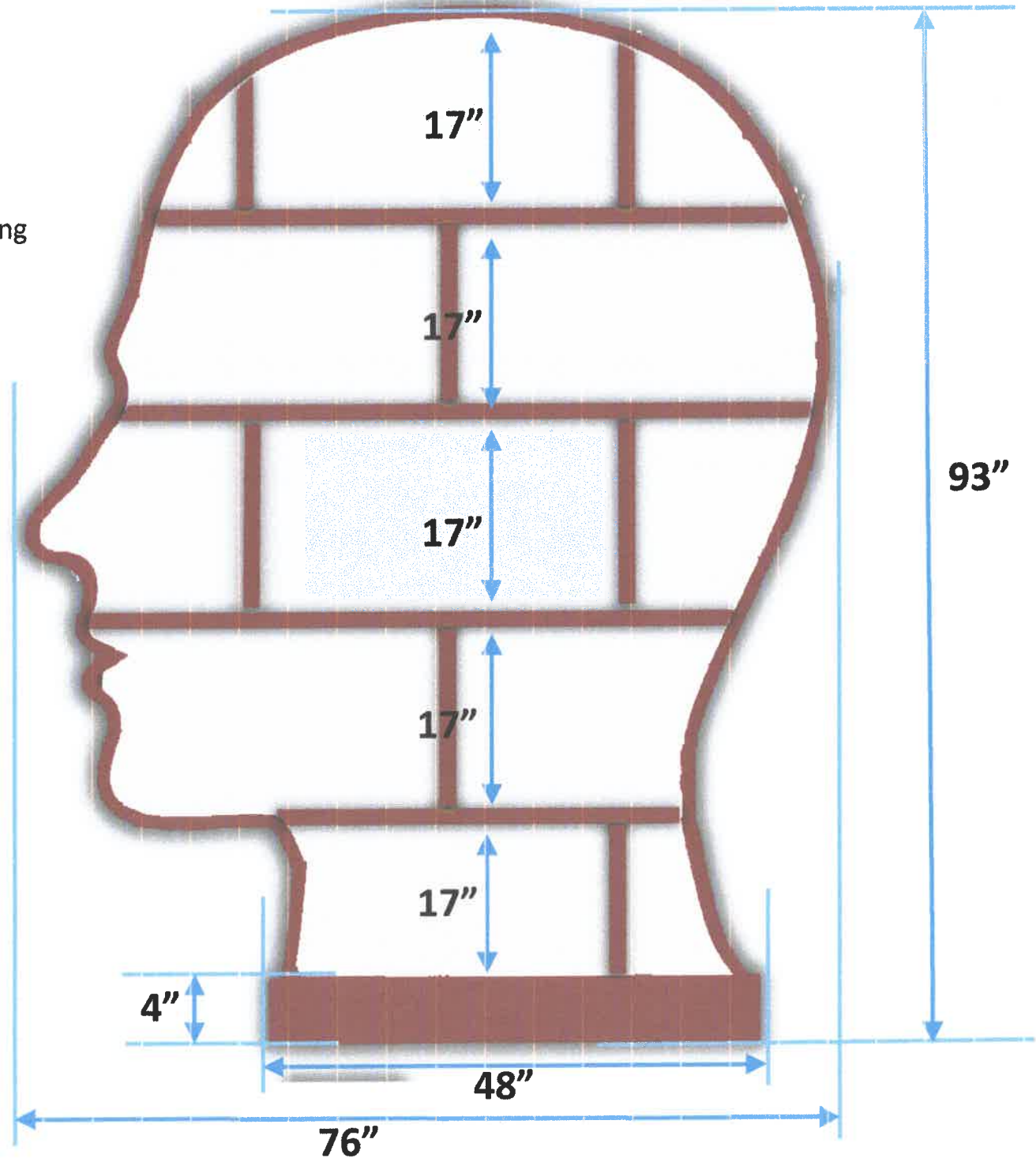
Size: H93" X L76" X W12

Base & Edge molding = Solid wood

Back = 3/4 plywood

Divider layers and vertical= 3/4 plywood

Edge curving= 1/4 plywood solid wood edge molding



SHELF 3 (1pc) (Kalasag Shelf)

Size: H93" X L76" X W12

Base & Edge molding = Solid wood

Back = 3/4 plywood

Divider layers and vertical = 3/4 plywood

Edge curving = 1/4 plywood solid wood edge molding

